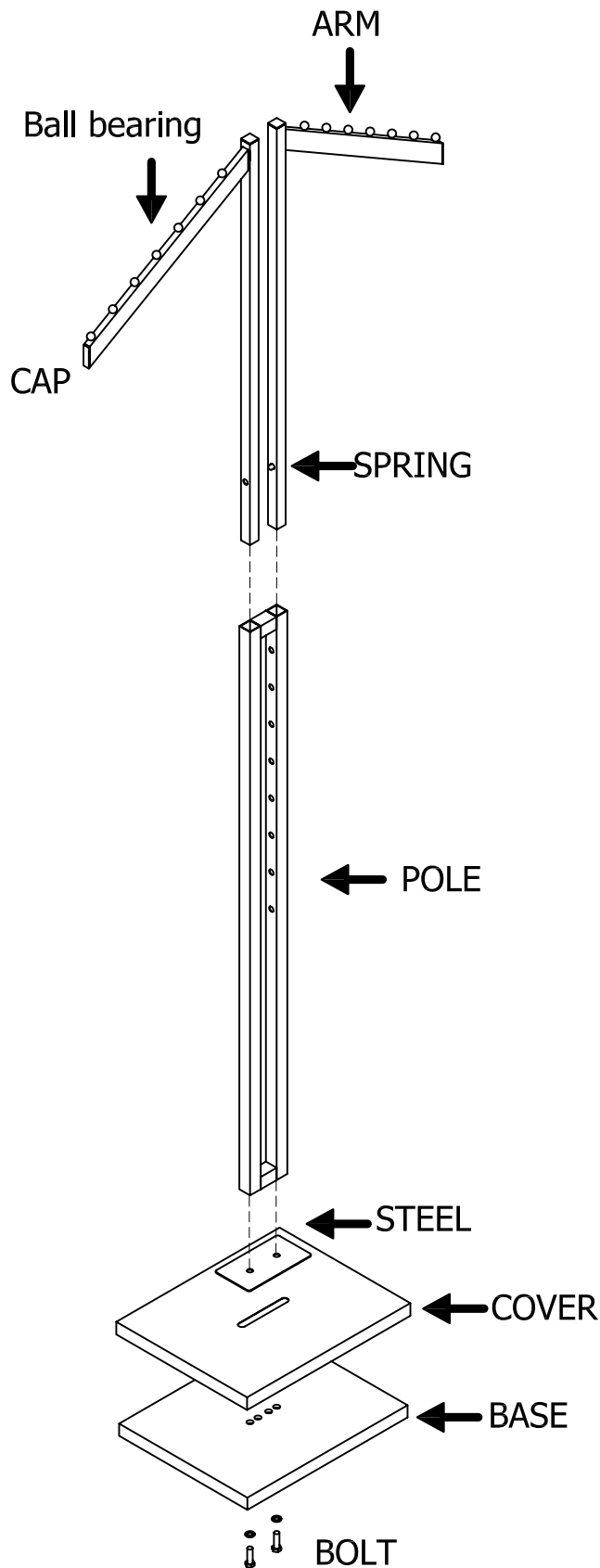


K-24 ASSEMBLY INSTRUCTIONS



PART LIST

- 1-STEEL
- 1-POLE
- 1-COVER
- 1-BASE
- 2-CAPS
- 2-SPRINGS
- 2-BOLTS
- 2-ARMS
- 14-Ball bearingS

BOLTS ARE SCREWED
IN PLACE